



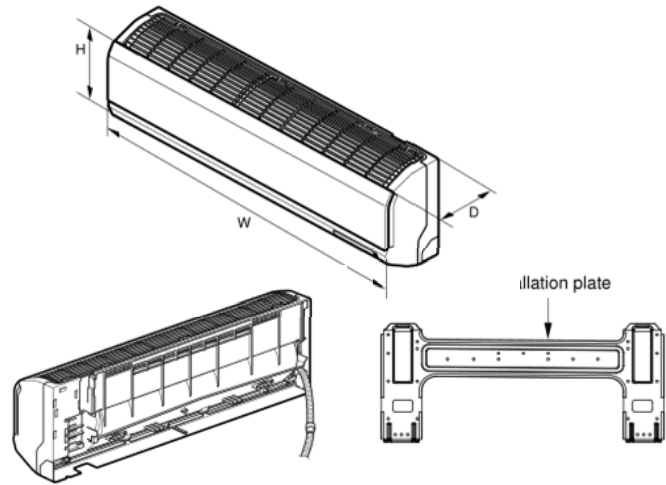
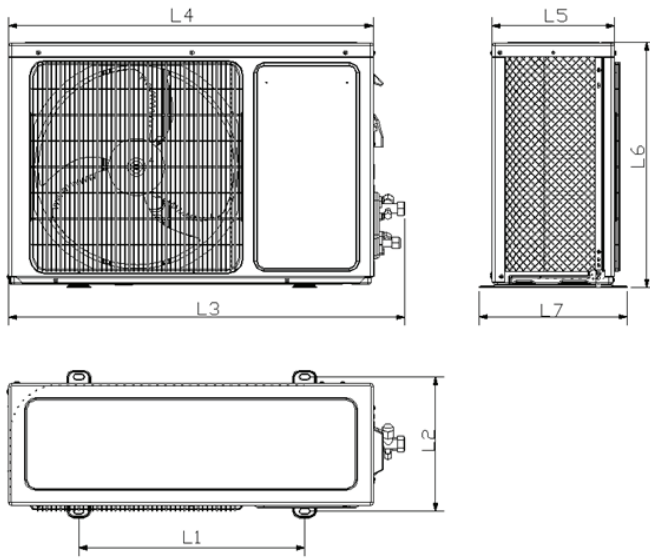
Outdoor Unit

AZLCI4C4S09 AZLCI4C4S18
AZLCI4C4S12 AZLCI4C4S24

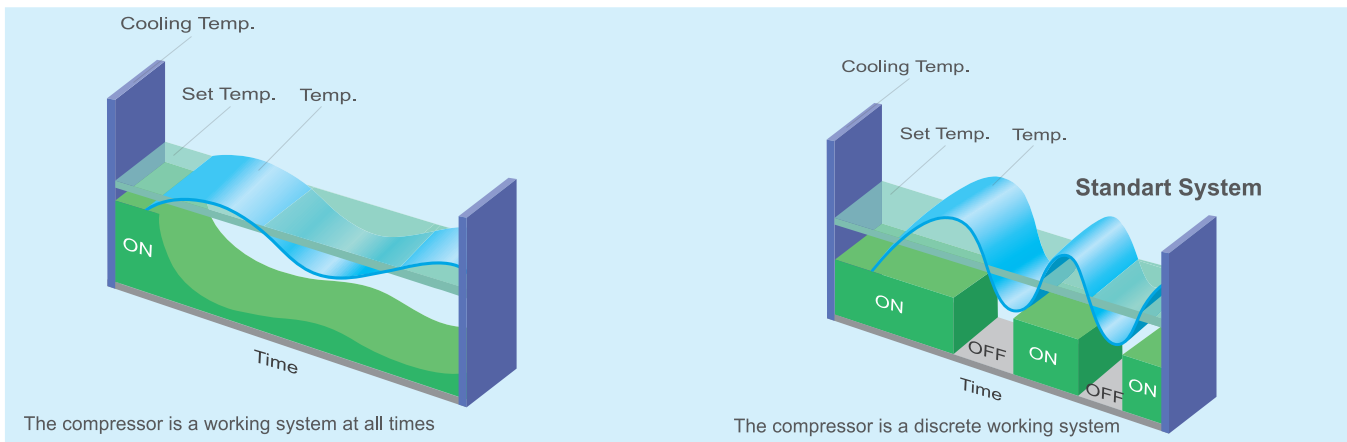


Indoor Unit

AZLE4C4S09 AZLE4C4S18
AZLE4C4S12 AZLE4C4S24



Net Dimensions WxHxD (inch)	Indoor Unit	31.26 x 10.95 x 8.58	33.98 x 10.82 x 8.62	38.11 x 12.99 x 9.64	45.2 x 12.4 x 9.13
	Outdoor Unit	25.98 x 9.44 x 9.76	28.14 x 9.44 x 18.97	31.88 x 23.03 x 11.02	33.85 x 25.59 x 12.20
Net Weight (lbs)	Indoor Unit	18.73	18.73	27.55	31.96
	Outdoor Unit	50.7	58.42	81.57	105.82
Packing Dimensions WxHxD (inch)	Indoor Unit	830x335x260	900x335x260	1040x390x315	1210x390x315
	Outdoor Unit	32.67x13.18x10.23	35.43x13.18x10.23	40.94x15.35x12.40	47.63x15.35x12.40
Gross Weight (lbs)	Indoor Unit	30.70x12.40x20.86	32.67x12.40x20.86	37.00x27.80x15.15	39.17x16.53x28.34
	Outdoor Unit	22	24	33	37
Loading Capacity (20'/40'/40'HC)		55	63	88	114
Application Area	m2	9-18	12-24	19-32	27-45



Voltage, Frequency, Phase	V	220V~,60Hz,1P	220V~,60Hz,1P	220V~,60Hz,1P	220V,60Hz,1P
Cooling Capacity	BTU/H	9000	12000	18000	22000
Rated Input-Cooling	W	815	1085	1628	2170
Moisture Removal	L/h	0.9	1.2	2	2.5
Air Circulation	High m3/h	500	600	1000	1150
EER for Cooling	W/W	3.24	3.24	3.24	3.24
Energy Class	Cooling	A	A	A	A
Refrigerant		R410A	R410A	R410A	R410A
Refrigerant charge volume	g	600	950	1300	1530
Additional ref. Volume	g	20	20	20	20
Indoor Unit Noise Level	High(dB (A))	39	40	44	48
	Mid(dB (A))	36	36	40	44
	Low(dB (A))	32	32	38	40
Outdoor Unit Noise Level	dB (A)	52	54	56	56
Power Supply					
Rated Current	Cooling (A)	3.9	5	7.4	9.2

Compressor					
Expansion Device		Capillary	Capillary	Capillary	Capillary
Evaporator		Copper tube and Aluminum Fin	Copper tube and Aluminum Fin	Copper tube and Aluminum Fin	Copper tube and Aluminum Fin
Condenser		Copper tube and Aluminum Fin	Copper tube and Aluminum Fin	Copper tube and Aluminum Fin	Copper tube and Aluminum Fin
Connecting Pipe Diameter					
Liquid Pipe	inch	1/4	1/4	1/4	3/8
Gas Pipe	inch	3/8	1/2	1/2	5/8
Features					
Display on Front Panel		LED/Hidden display	LED/Hidden display	LED/Hidden display	LED/Hidden display
LCD Wireless Remote Controller		Yes	Yes	Yes	Yes
Removable and washable Panel		Yes	Yes	Yes	Yes
Washable High Density PP Filter		Yes	Yes	Yes	Yes
24 Hours Timer		Yes	Yes	Yes	Yes
3 Speed and Auto Indoor Fan Control		Yes	Yes	Yes	Yes
Vertical Auto Swing Louver		Yes	Yes	Yes	Yes
Manual Adjustable Horizontal Swing Louver		Yes	Yes	Yes	Yes
Sleep Operation (4 mode)		Yes	Yes	Yes	Yes
Smart Function		Yes	Yes	Yes	Yes
Super Function		Yes	Yes	Yes	Yes
Auto Restart		Yes	Yes	Yes	Yes
Dimmer		Yes	Yes	Yes	Yes
Anti-Cold air		No	No	No	No